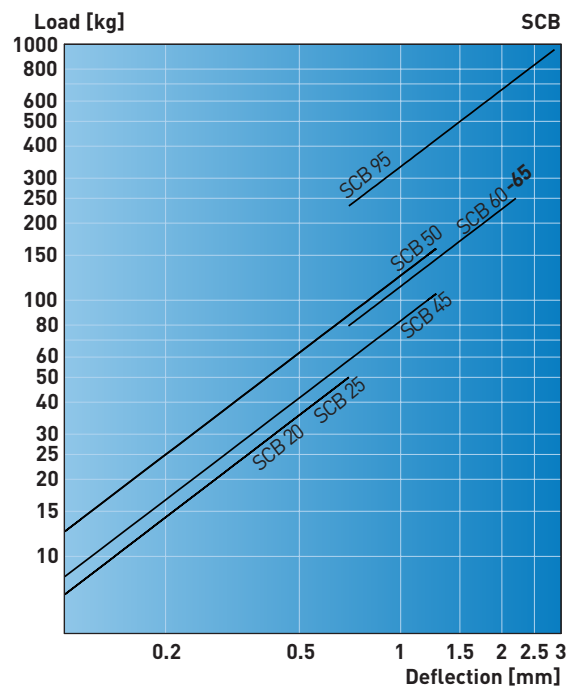
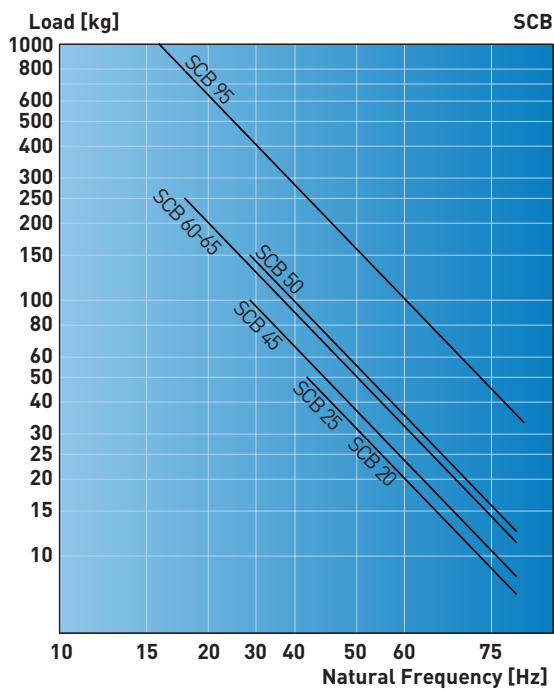
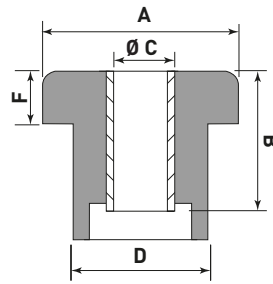
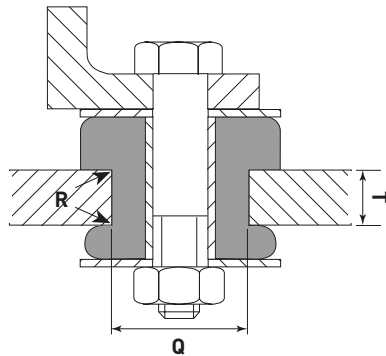


Product description

SCB mounts consist of a rubber centre with a metal pipe inside. The metal pipe reduces the wear of the rubber and extends the product's service life. The SCB mount is designed to absorb both tensile and compressive forces.

Advantages

- Easy to assemble and install
- Simple and economical solution for many applications.



Type	A [mm]	B [mm]	C \emptyset [mm]	D [mm]	F [mm]	R [mm]	Q [mm]	T Min. [mm]	T Max. [mm]	Load [kg]	Mount Weight [g]
SCB 20	27	15.5	10	20	6.5	1	20.5	4	5	30	20
SCB 25	27	21	10	20	6.5	1	20.5	10	11	50	20
SCB 45	42	25	13	31	10.5	1.5	31	10	11	100	56
SCB 50	49	35	13.5	34	13.5	1.5	34	16	17	200	73
SCB 60	63	31	16	41	16	3	41	9	10	250	108
SCB 65	62	44.5	16.5	40	17	3	40	19	20	250	140
SCB 95	92	51.5	20.5	56	26	3	55.5	19	20	1000	395

Washers for each can be ordered as a spare part. Please contact IAC Acoustics for further information.